



Service Bodies

*Extracted from Full Scelzi Catalog
January 2024*

Standard Features On All Scelzi Signature Truck Bodies



Open tops - open top lids of 16 gauge galvanized metal with smooth tops, "Z" style hat section, using 18 gauge inner panel, with aluminum diamond plate overlay. Scelzi Enterprises has the strongest open tops in the industry. Heavy duty gas shocks 2 per open top for easy door opening. 4 1/2" deep open top tray.

Doors - double panel door 18 gauge outer, 20 gauge inner laminated together for greater durability "Z" style hat section for extra strength. Doors mounted using stainless steel hinge block with nylon insert, stainless steel self sealing mono bolt, and 5/16 stainless steel full length door shaft.



Door Seals - Special design contour - Neoprene seal inside the door.

1/8 x 1/2 rubber stops the door from chaffing against the body.

Gas shocks on open top compartments and vertical doors.

Tailgate - heavy duty self leveling tailgate with 12 gauge diamond plate inner panel and 1/4" stainless steel end cap.

Stainless steel hinge block with nylon insert



Tailgate bracket - 10 gauge stainless steel.

Scelzi Signature Service Body Is Shown

Shelves - 16 gauge galvanized with return flange curl. Shelf brackets are 12 gauge galvanized.

Shelves are Heavy duty lock-in-place

All vertical compartments have 2 adjustable shelves, horizontal compartments have 1 adjustable shelf

All shelves are adjustable on 2" centers

Three point latching system on all compartment doors.

Tail hinges on 5/8" stainless steel Allen Head Shoulder Bolt with 5/8" Bronze Bushing.

Seal-beam type tail, clearance and back-up lights.

All bodies equipped with a six-inch step bumper. Powder coated grey.

Superior underbody construction using thicker gauge steel and more cross-members than other truck body builders

Additional Signature Body Features:

- Six-point mounting on 8 and 9 foot bodies. Eight point mounting on 11 and 13 foot bodies.
- All beds are caulked with Ultra Neoprene sealers, and the underside of the bed and wheel wells are under-sealed before the bed is installed
- Multiple coats of primer and urethane paint are added for longest durability

Chrome Scelzi T-Bar handle latches with polished rivet-free stainless steel pockets and Galvanized steel locking rods

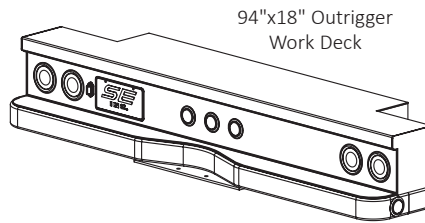


All compartment doors equipped with barrel locks

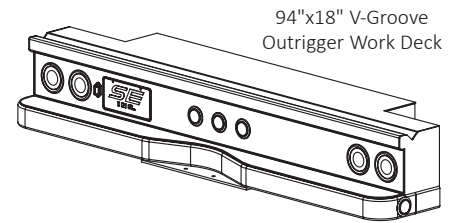
Three-year bulkhead to bumper warranty



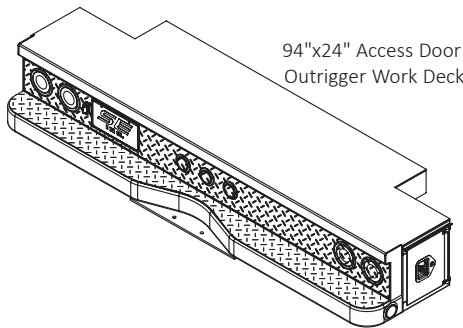
Work Decks



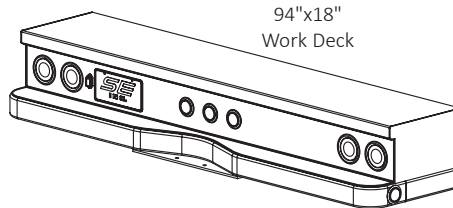
94"x18" Outrigger Work Deck



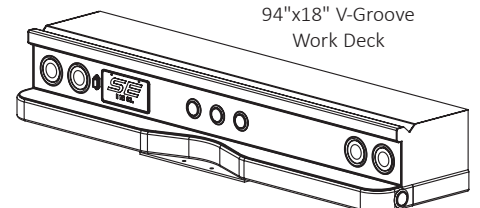
94"x18" V-Groove Outrigger Work Deck



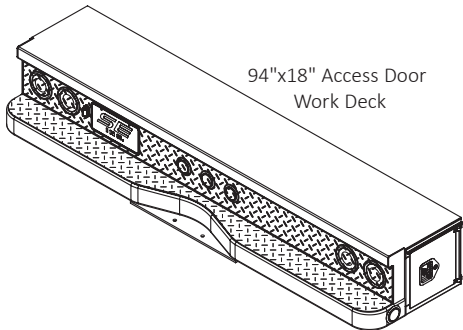
94"x24" Access Door Outrigger Work Deck



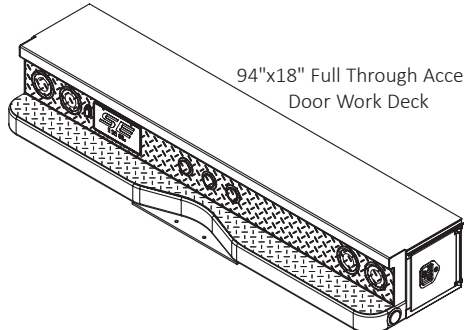
94"x18" Work Deck



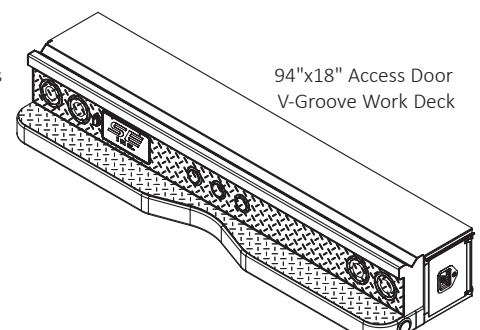
94"x18" V-Groove Work Deck



94"x18" Access Door Work Deck

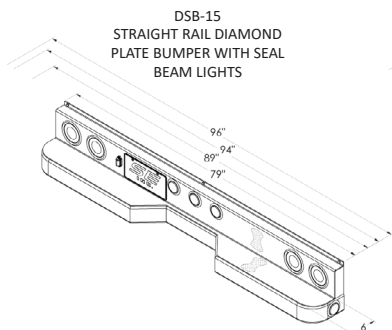


94"x18" Full Through Access Door Work Deck

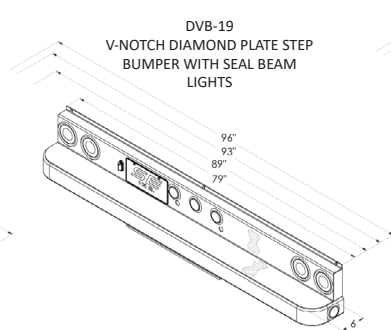


94"x18" Access Door V-Groove Work Deck

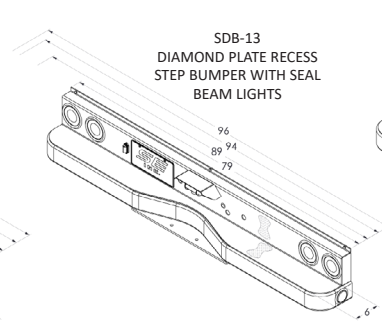
Bumpers



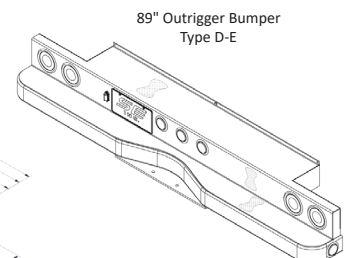
DSB-15
STRAIGHT RAIL DIAMOND
PLATE BUMPER WITH SEAL
BEAM LIGHTS



DVB-19
V-NOTCH DIAMOND PLATE STEP
BUMPER WITH SEAL BEAM
LIGHTS



SDB-13
DIAMOND PLATE RECESS
STEP BUMPER WITH SEAL
BEAM LIGHTS



89" Outrigger Bumper
Type D-E

Other bumper style options available, but not shown



Photos may contain optional equipment - verify your specifications when you order.

SINGLE REAR WHEEL

Standard Specifications

Body Dimensions Available:

SB-80	80 Inches Long x 79 Inches Wide	40 CA
SB-98	98 Inches Long x 79 Inches Wide	56 CA
SB-108	108 Inches Long x 79 Inches Wide	60 CA

Compartment Height: 38 inches high is standard
Options: 33 and 43 inch high compartments are available as a special order.

Rear Wheel: Single

Color: White

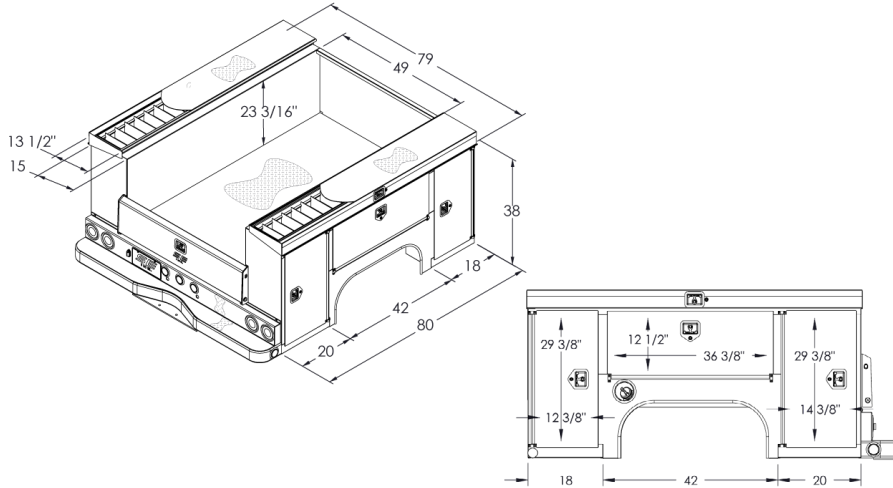
Storage Compartments: Aluminum diamond plate on top
See page 31 for tool box configuration options

Optional Top Rack: Powder coated over the cab contour material rack

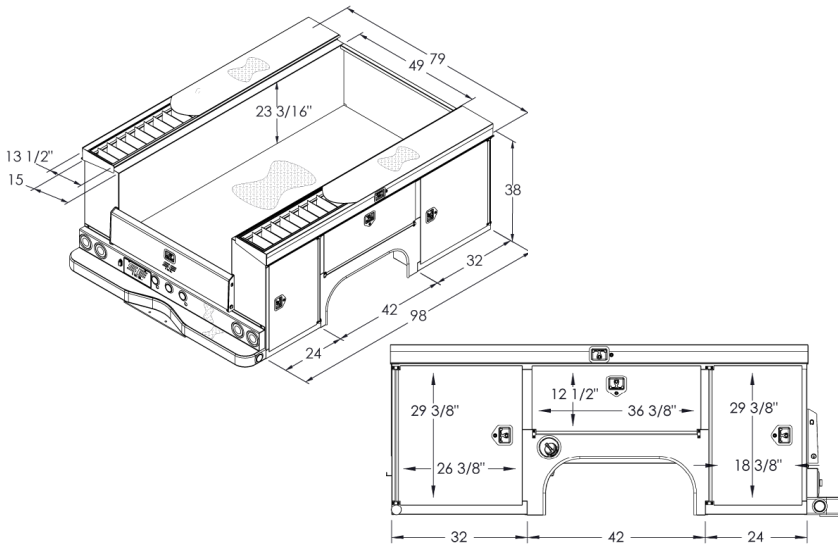
Style	Orientation	Tops
VO	Vertical	Open
HO	Horizontal	Open
V	Vertical	Closed
H	Horizontal	Closed



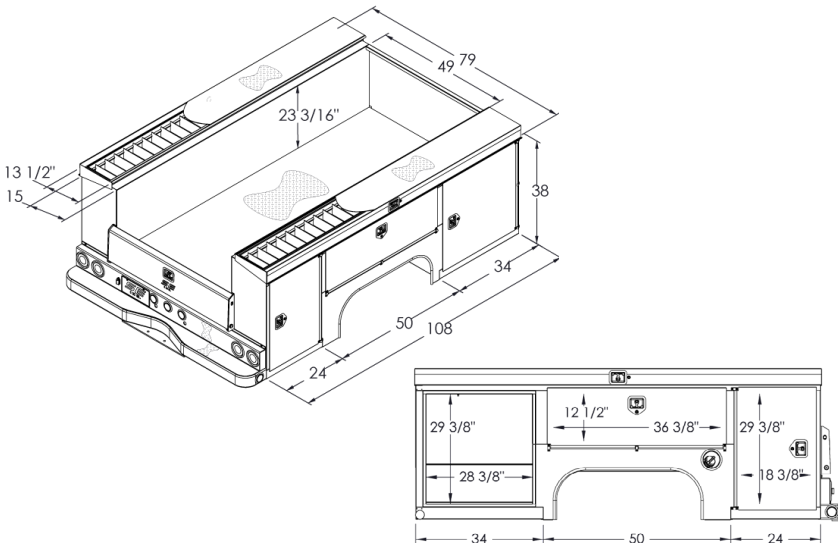
SB-80 Most Common Dimensions (SB-80-79-49-38-VO)



SB-98 Most Common Dimensions (SB-98-79-49-38-VO)



SB-108 Most Common Dimensions (SB-108-79-49-38-VO)





Photos may contain optional equipment - verify your specifications when you order.

DUAL REAR WHEEL

Standard Specifications

Body Dimensions Available:

SBD-98	98 Inches Long x 96 Inches Wide	56 CA
SBD-108	108 Inches Long x 94 Inches Wide	60 CA
SBD-132	132 Inches Long x 94 Inches Wide	84 CA
SBD-156	156 Inches Long x 94 Inches Wide	108 CA

Compartment Height: 38 inches high is standard
Options: 33 and 43 inch high compartments are available as a special order.

Rear Wheel: Dual

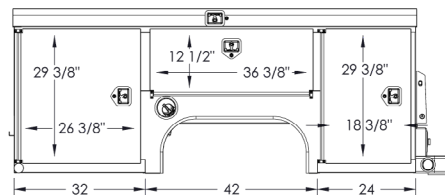
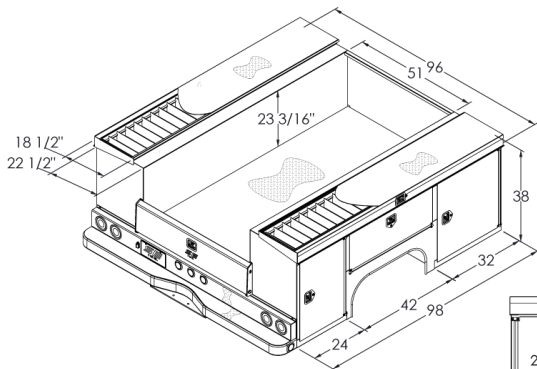
Color: White

Storage Compartments: Aluminum diamond plate on top
See page 31 for tool box configuration options

Optional Top Rack: Powder coated over the cab contour material rack

Style	Orientation	Tops
VO	Vertical	Open
HO	Horizontal	Open
V	Vertical	Closed
H	Horizontal	Closed

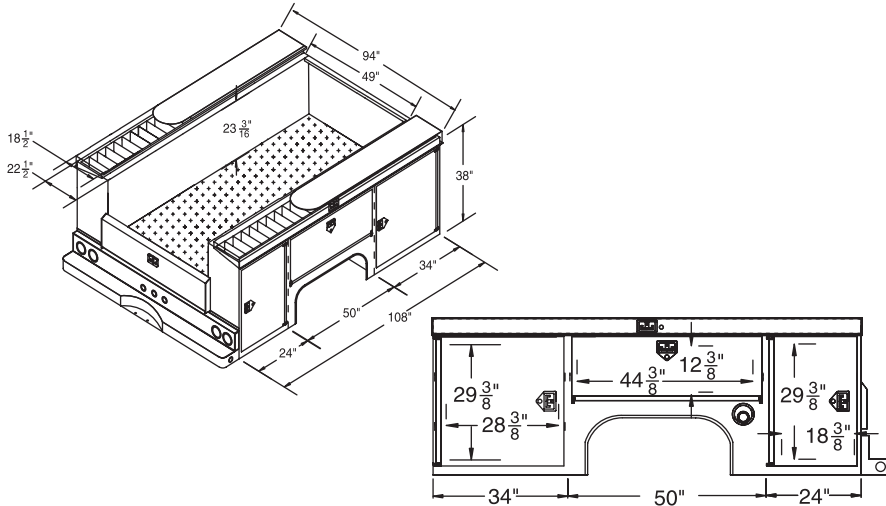
SBD-98 Most Common Dimensions (SBD-98-96-51-38-VO)



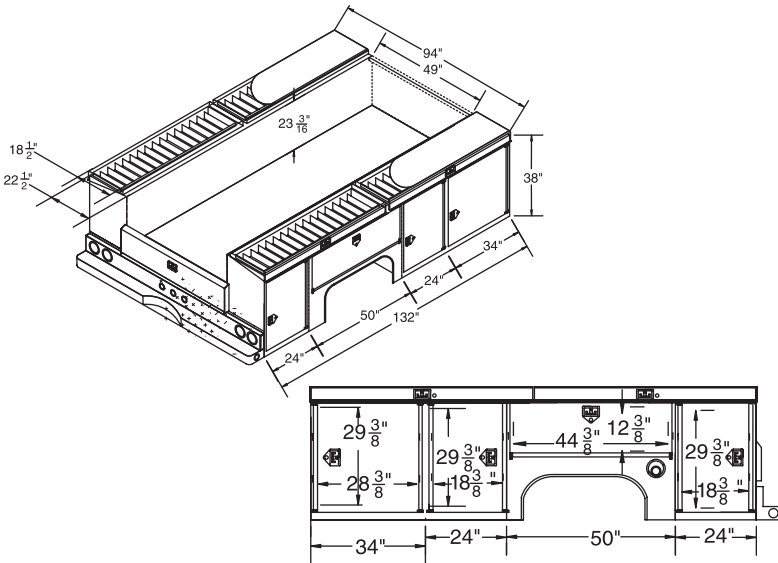
SIGNATURE SERVICE Bodies - DUAL



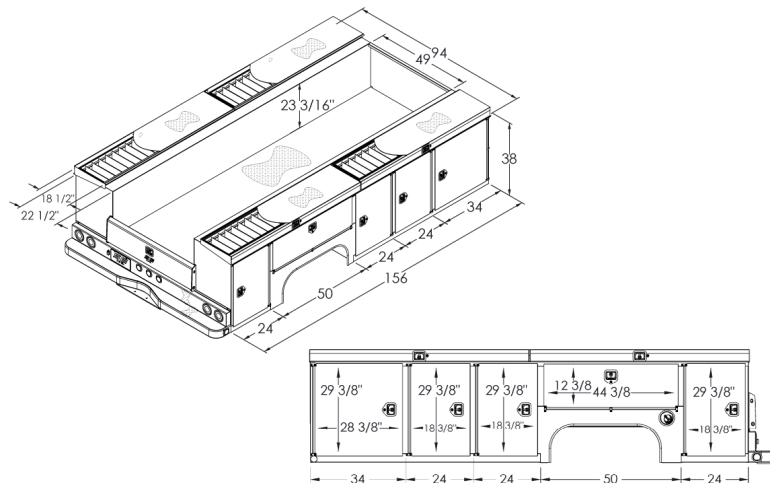
SBD-108 Most Common Dimensions (SBD-108-94-49-38-VO)



SBD-132 Most Common Dimensions (SBD-132-94-49-38-VO)



SBD-156 Most Common Dimensions (SBD-156-94-49-38-VO)



SIGNATURE SERVICE Body Insert



Photos may contain optional equipment - verify your specifications when you order.

Service Body Custom Dump Insert 2 Cubic Yard Capacity

Body Dimensions:

SB-98-79-49-38

Length = 99.5 inches

56 CA

SB-108-79-49-38

Length=109.5 inches

60 CA

Construction:

- 44" Wide Inside x 21" Sides x 22" Tail Gate x 21" Bulkhead
- 12 Ga. Steel Throughout
- 21" Bulkhead
- 22" Double Acting Tailgate with formed brace
- 3 Flange Top Rail
- Beveled Floor Corners at sides
- 4" channel crossmembers
- 5" Long Sills
- Pinned Tailgate Locks

Color:

- White is standard

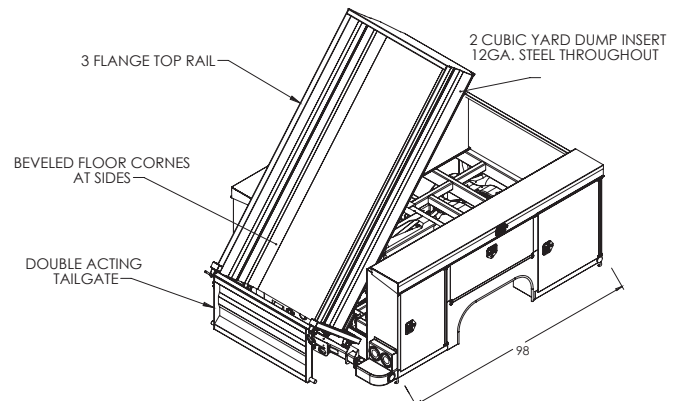
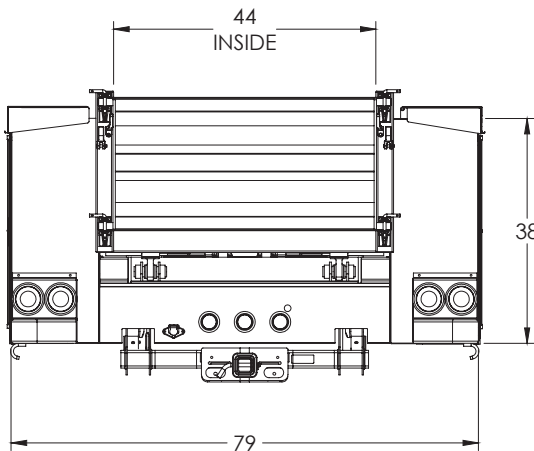
Hoist:

- Scelzi CS412T-11 electronic over hydraulic single acting hoist 4.1 ton capacity
- Full steel sub-frame integrated into service body understructure
- Double acting, Power Up/Down
- LED Body Raised Warning Light

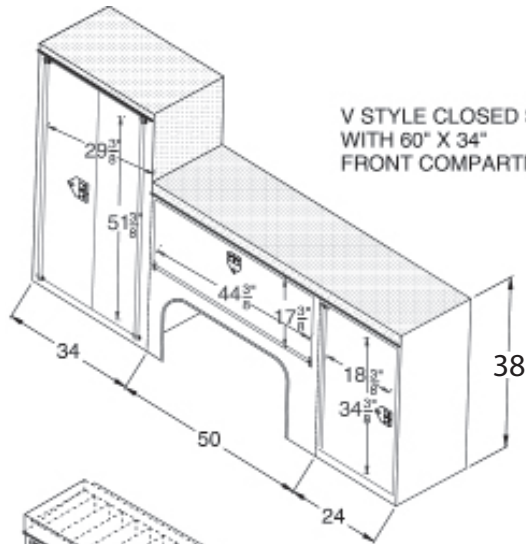
Style	Orientation	Tops
VO	Vertical	Open
V	Vertical	Closed



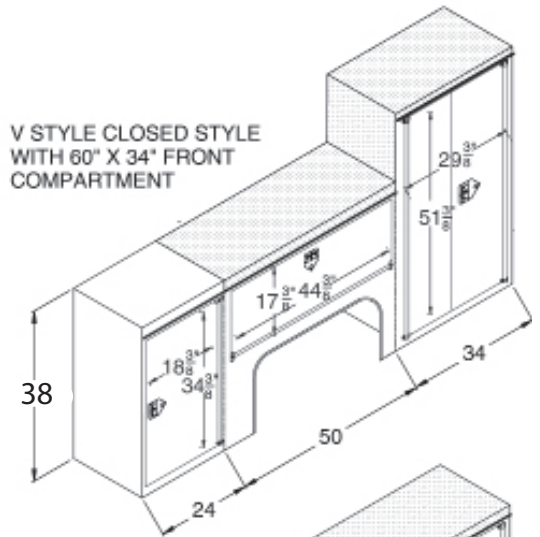
Dimensions for
SB-98-79-49-38-VO
2 CUBIC YARD DUMP INSERT



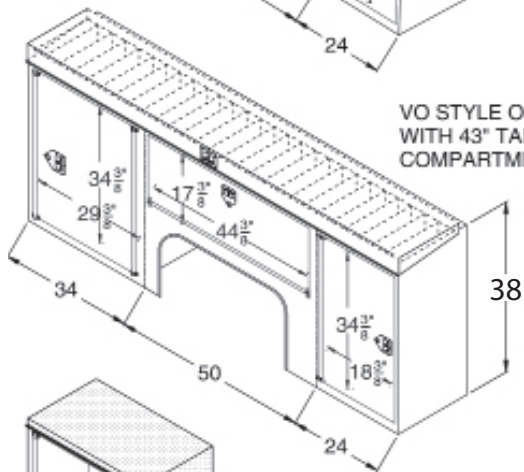
Dimensions shown represent 38" tall body with 22- $\frac{1}{2}$ " wide compartments. Optional 20" wide compartments available.



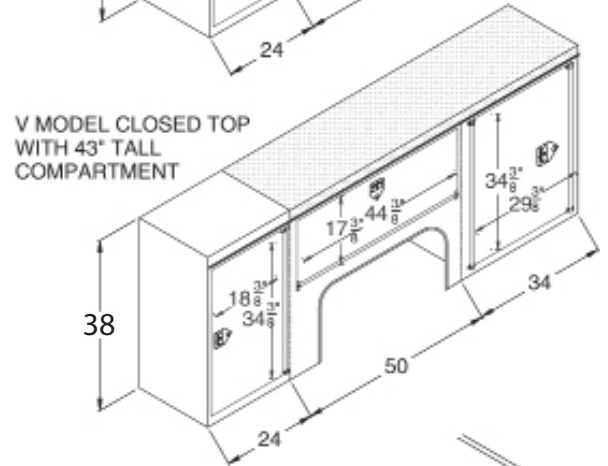
V STYLE CLOSED STYLE
WITH 60" X 34"
FRONT COMPARTMENT



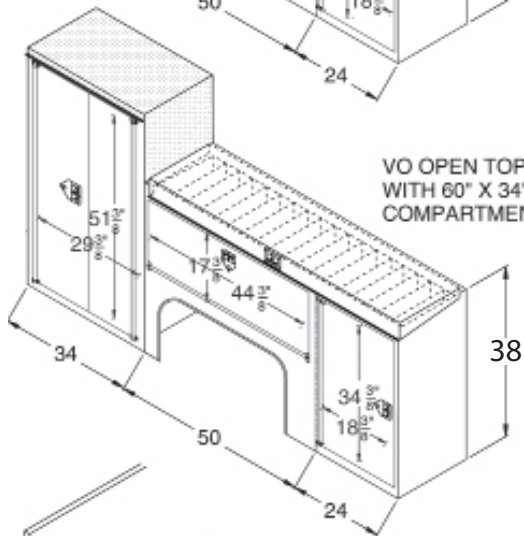
V STYLE CLOSED STYLE
WITH 60" X 34" FRONT
COMPARTMENT



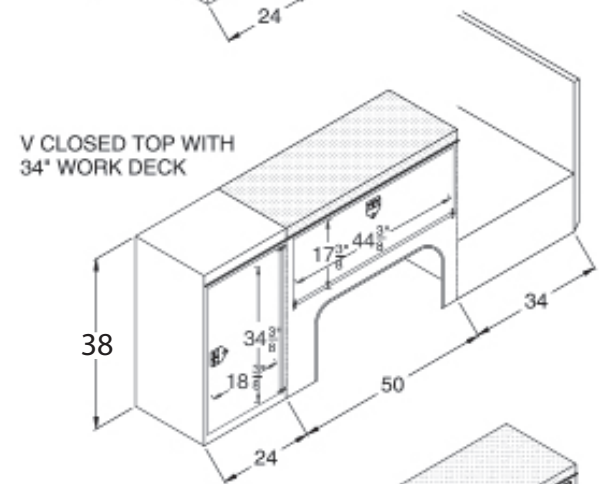
VO STYLE OPEN TOP
WITH 43" TALL
COMPARTMENT



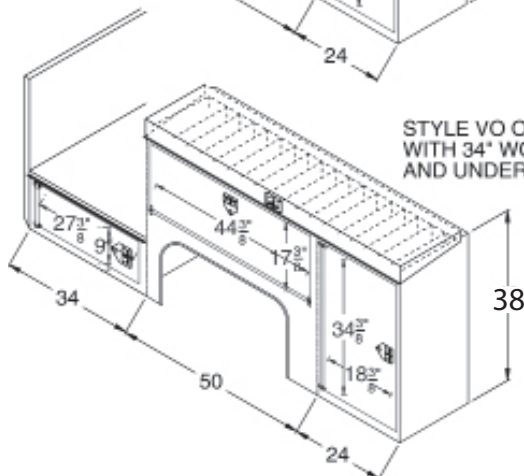
V MODEL CLOSED TOP
WITH 43" TALL
COMPARTMENT



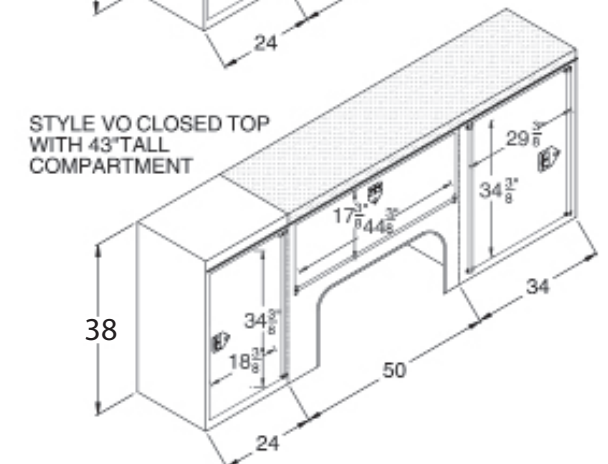
VO OPEN TOP STYLE
WITH 60" X 34" TALL
COMPARTMENT



V CLOSED TOP WITH
34" WORK DECK



STYLE VO OPEN TOP
WITH 34" WORK DECK
AND UNDER BODY BOX

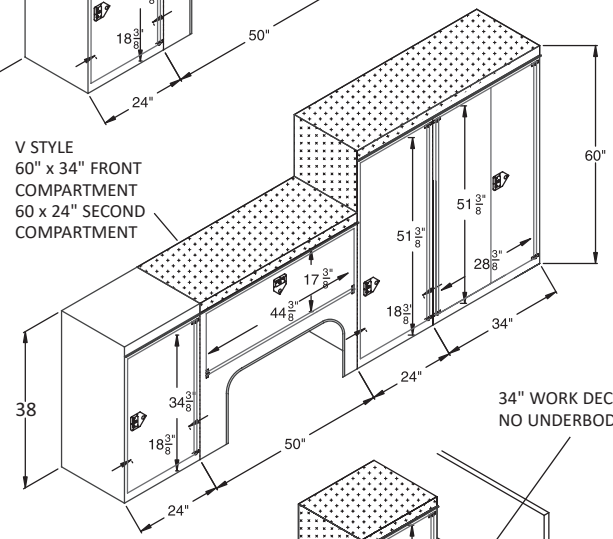
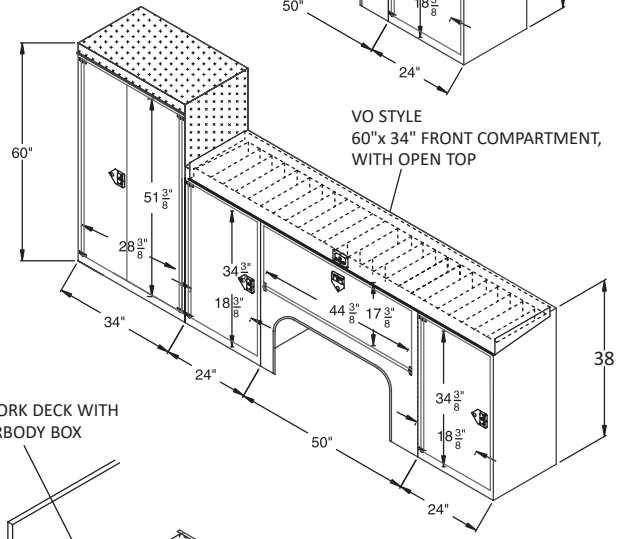
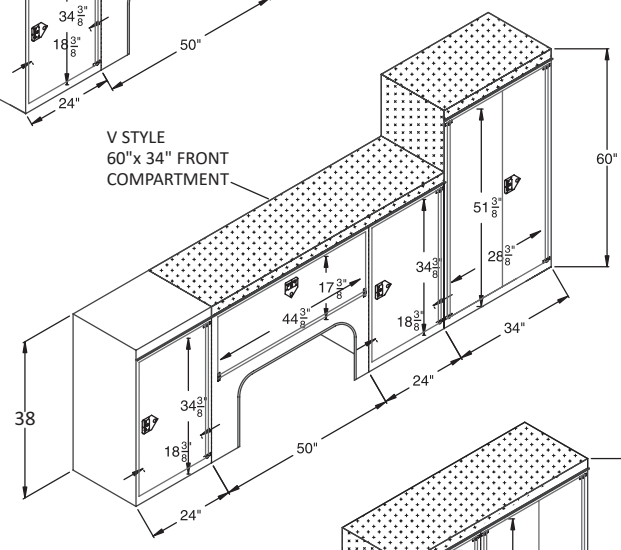
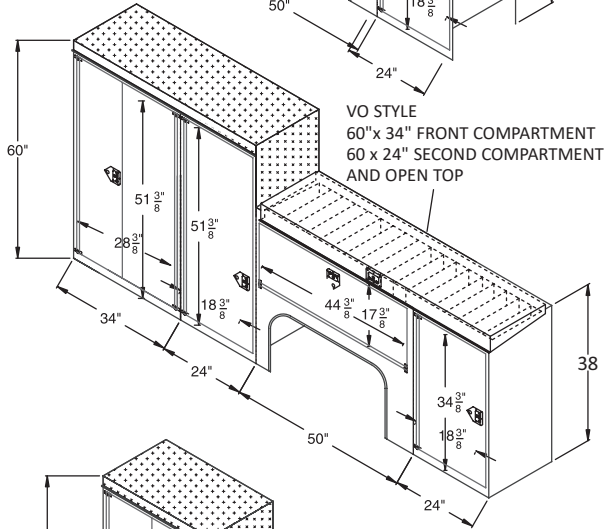
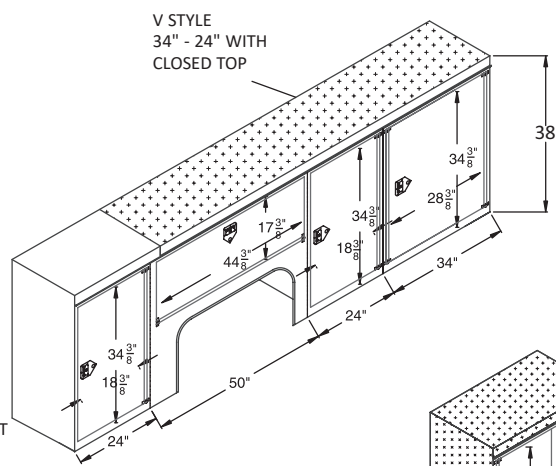
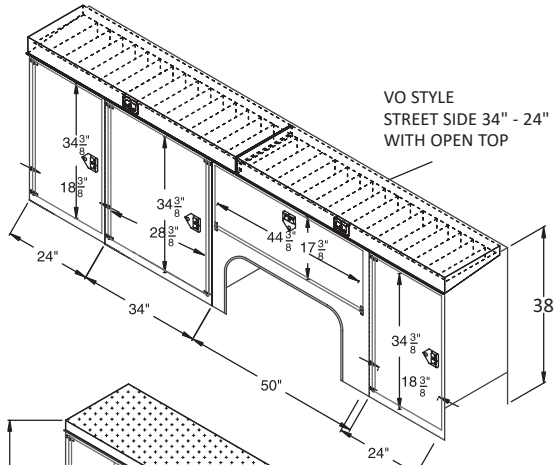


STYLE VO CLOSED TOP
WITH 43" TALL
COMPARTMENT

Crane and Signature Service Body Configuration Options

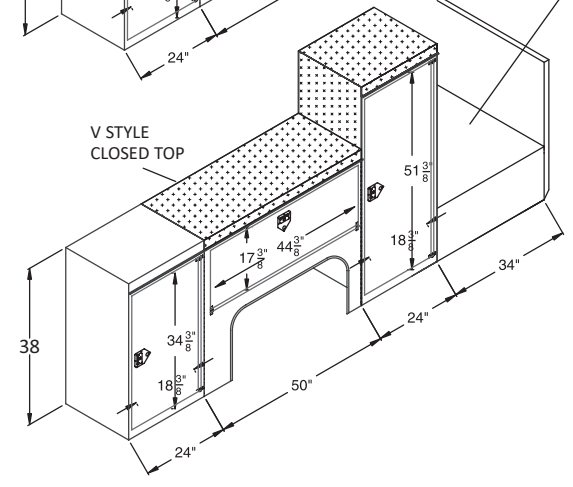
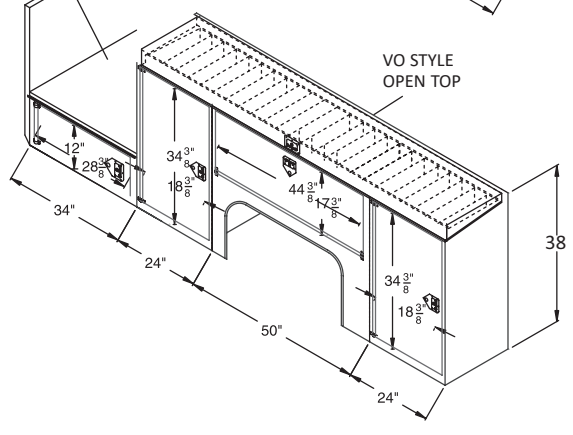


Dimensions shown represent 38" tall body with 22-1/2" wide compartments. Optional 20" wide compartments available.



34" WORK DECK WITH UNDERBODY BOX

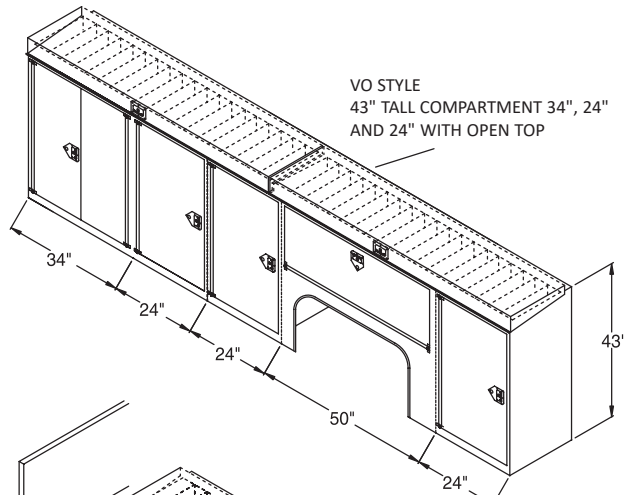
34" WORK DECK WITH NO UNDERBODY BOX



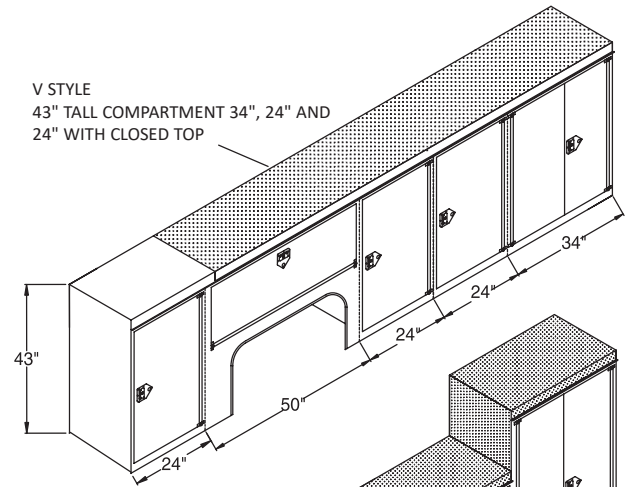
Crane and Signature Service Body Configuration Options



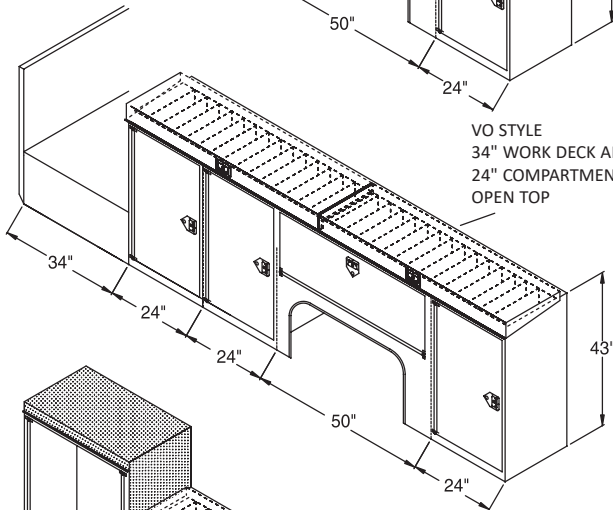
Dimensions shown represent 43" tall body with 22-1/2" wide compartments. Optional 20" wide compartments available.



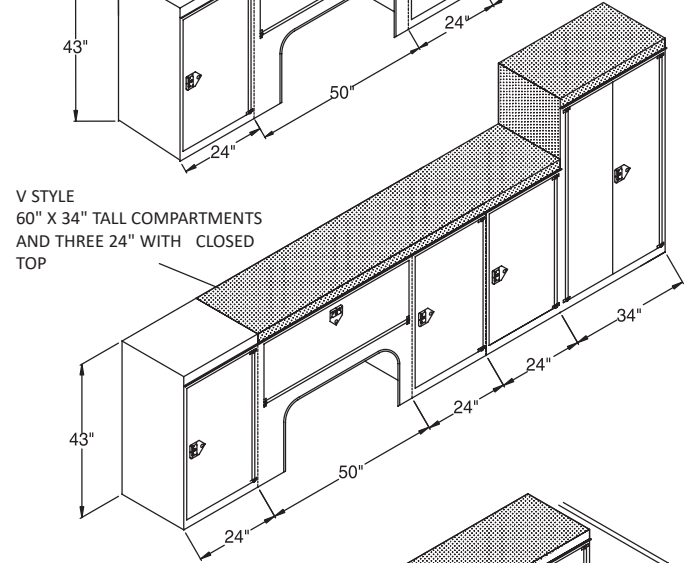
VO STYLE
43" TALL COMPARTMENT 34", 24"
AND 24" WITH OPEN TOP



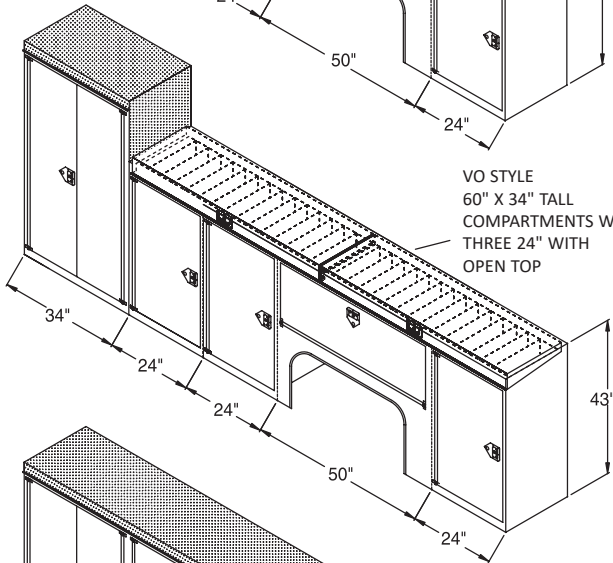
V STYLE
43" TALL COMPARTMENT 34", 24" AND
24" WITH CLOSED TOP



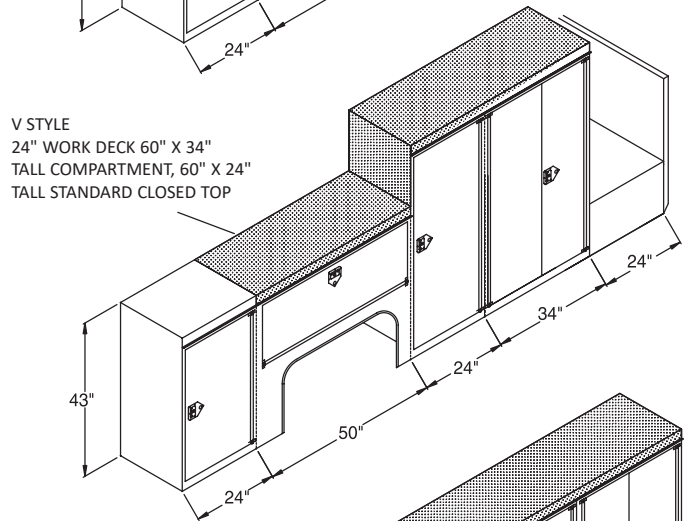
VO STYLE
34" WORK DECK AND THREE
24" COMPARTMENTS WITH
OPEN TOP



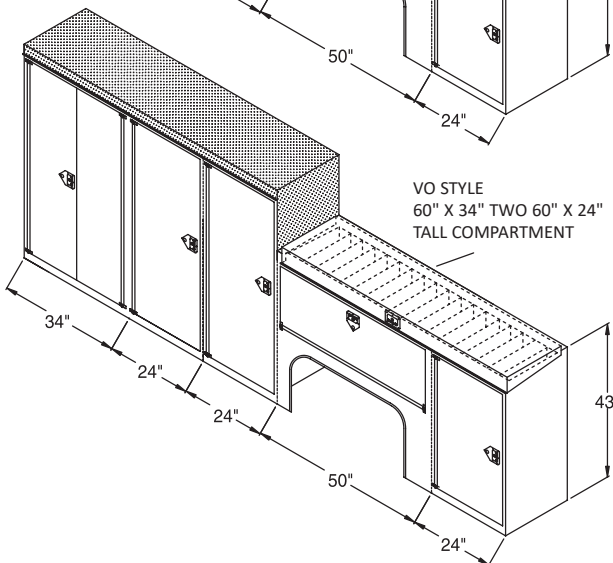
V STYLE
60" X 34" TALL COMPARTMENTS
AND THREE 24" WITH CLOSED
TOP



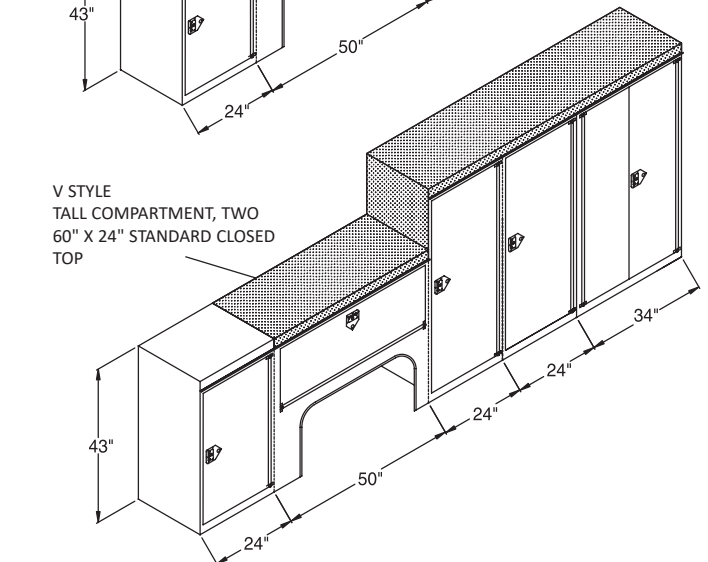
VO STYLE
60" X 34" TALL
COMPARTMENTS WITH
THREE 24" WITH
OPEN TOP



V STYLE
24" WORK DECK 60" X 34"
TALL COMPARTMENT, 60" X 24"
TALL STANDARD CLOSED TOP



VO STYLE
60" X 34" TWO 60" X 24"
TALL COMPARTMENT



V STYLE
TALL COMPARTMENT, TWO
60" X 24" STANDARD CLOSED
TOP